

// Centaur v2 (LARA) model 2023

Datasheet coming soon.

Features

- Relieves up to 80% of carried load to the ground through external structures.
- Handles loads carried on the frame up to 60kg.
- Supporting function powered by wearers own forward momentum.
- Hydraulics made by partners in Germany.
- One size fits all (Dutch military size standards 1550mm - 2050mm.)

Not recommended for:

- Untrained or low fitness users.
- Use with less than 40kg payload.
- Use for load not carried on the frame.
- Use for less than 4 consecutive hours.

Table 1 Technical Data

Coming soon.	

InteSpring B.V.
 Patrijsweg 24
 2289 EX, Rijswijk
 The Netherlands

t: +31 (0)15-2577008
 f: +31 (0)15-3020709
 e: info@intespring.nl
 w: www.intespring.nl

BTW: 8154.85670.B01
 KvK: 27279710
 BIC: RABO NL 2U
 IBAN: NL 89 RABO 0
 1064.63.810

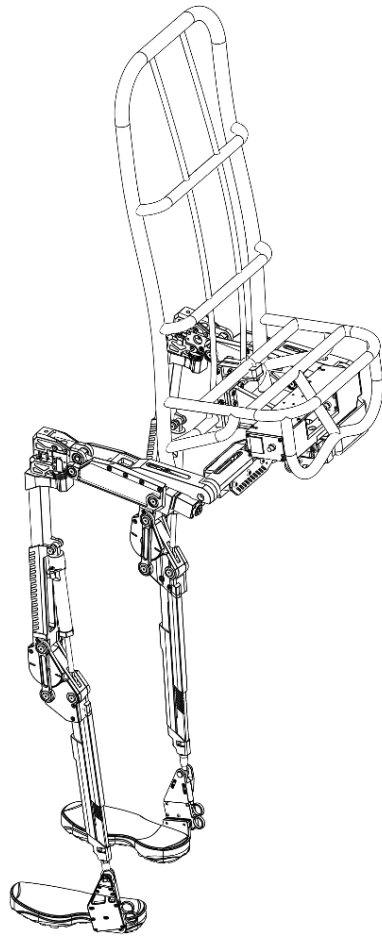
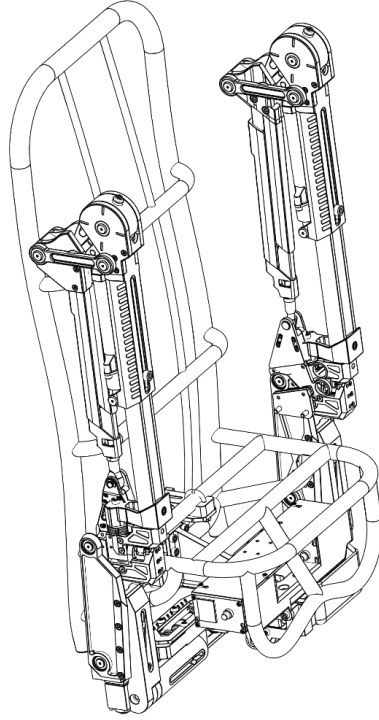


Figure 1 Centaur v2 (LARA) Medium Length Settings

InteSpring B.V.
Patrijsweg 24
2289 EX, Rijswijk
The Netherlands

t: +31 (0)15-2577008
f: +31 (0)15-3020709
e: info@intespring.nl
w: www.intespring.nl

BTW: 8154.85670.B01
KvK: 27279710
BIC: RABO NL 2U
IBAN: NL 89 RABO 0
1064.63.810



InteSpring B.V.
Patrijsweg 24
2289 EX, Rijswijk
The Netherlands

t: +31 (0)15-2577008
f: +31 (0)15-3020709
e: info@intespring.nl
w: www.intespring.nl

BTW: 8154.85670.B01
KvK: 27279710
BIC: RABO NL 2U
IBAN: NL 89 RABO 0
1064.63.810

Figure 2 Centaur v2 (LARA) Folded